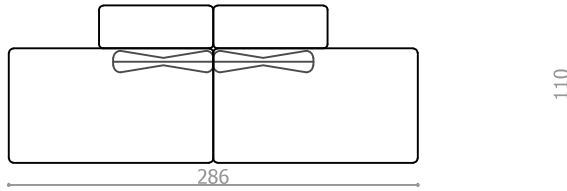
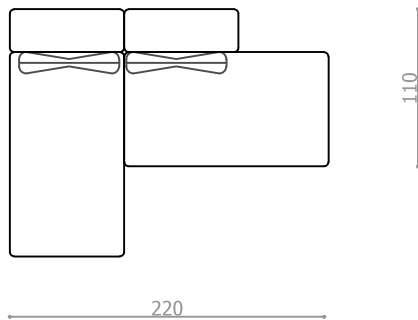


model **BonBon S**
combination: 2A+2B

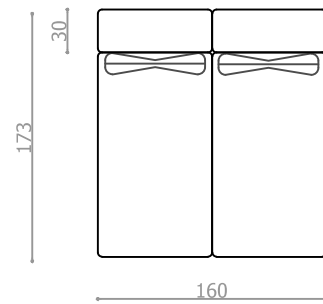
1.



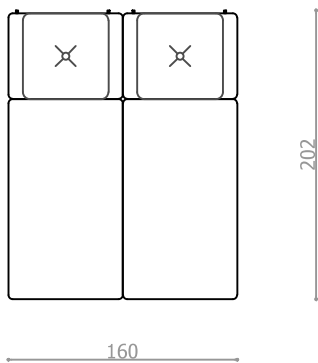
2.



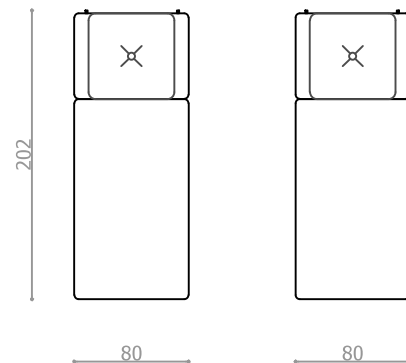
3.



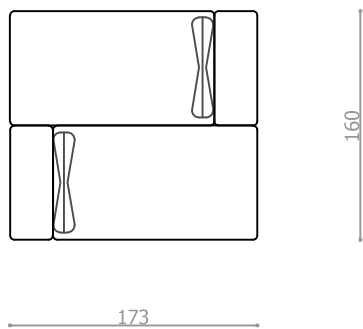
4.



5.



6.



7.

